



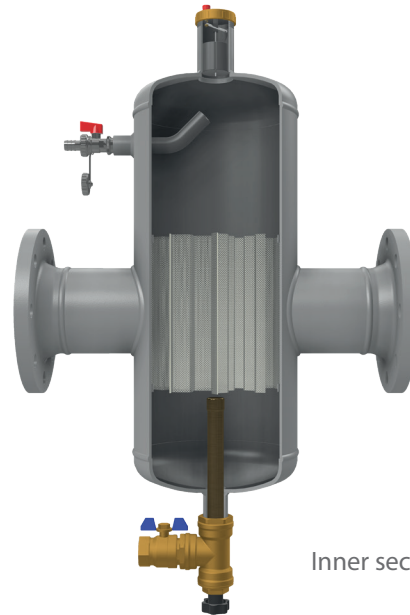
Professional in water treatment
of closed installations.

DIRT-SEP[®]

PH-S/Steel magnetic dirt separator



Outer view



Inner section

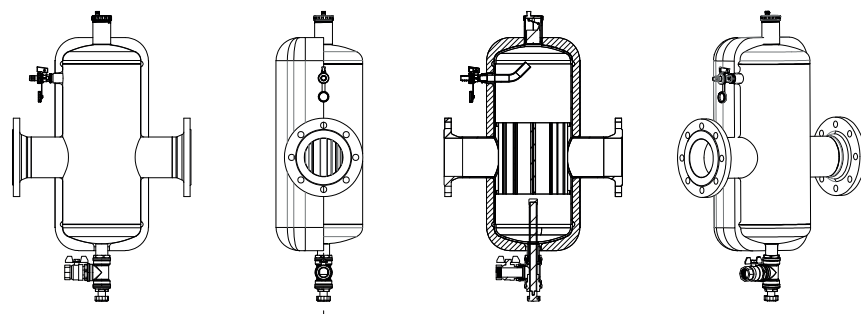
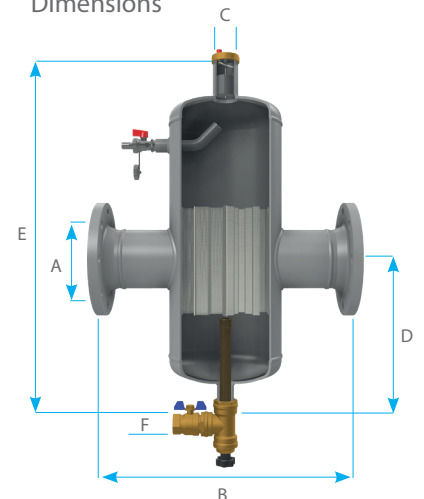
If there are limitations in the individual use of the air separator and sediment holder and/or there is a need for reducing mounting volume and/or reducing cost of investment, the KOREX PH series products are the ideal solution.

Ensuring continuous and effective separation of air and pollution from installation in heating systems increases the efficiency of the system and prolongs its life. The amount of dirty matter accumulated is much higher than the classic type of sediment holders.

Periodic maintenance is less needed. The water valve is low at the lower part of the super-strong magnet. That's why he can catch even the smallest pieces. When the discharge valve is opened, the magnet is removed and the accumulated parts under the body are taken out. In order for the magnet to be easily removed, the sediment holder must be mounted at least 30 cm above the floor.



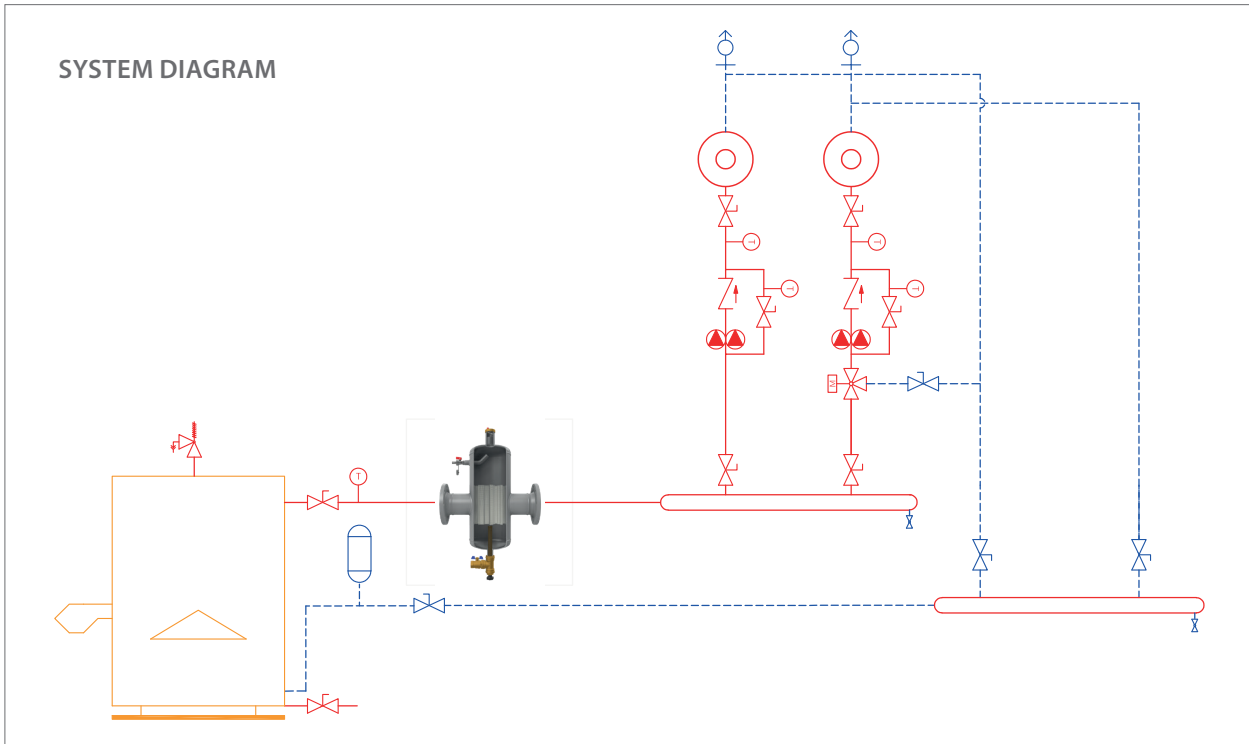
Dimensions



SPECIFICATIONS

| | |
|---------------------------------|--|
| Max. Operating Temperature: | 110 °C |
| Operating Pressure: | 10 bar |
| Size and Shape: | |
| Welded PH-SL: | 2" – 6" |
| Flans PH-SF: | DN50-DN150 /PN16 (DN200-DN600 on request) |
| Filtermaterial: | Stainless Steel |
| Outer Surface protection Paint: | DN50-DN150 Electrostatic Powder Paint |

Filtering your needs.



The above system diagram is an example. It should be assembled according to current, standard and directives.

PH-SL, Welded magnetic dirt separator

| Product Code | A | B (mm) | C (inch) | D (mm) | E (mm) | F (inch) | Weight (kg) | Kv (m³/h) | Volume (lt) | Min. Flow (m³/h) | |
|--------------|-------|--------|----------|-----------|--------|----------|-------------|-----------|-------------|------------------|--------|
| PH-SL050 | DN50 | 60,3 | 330 | Spec W-19 | 268 | 578 | 1" | 13 | 75 | 9 | 8-12 |
| PH-SL065 | DN65 | 76,1 | 330 | Spec W-19 | 268 | 578 | 1" | 14 | 150 | 9 | 10-22 |
| PH-SL080 | DN80 | 88,9 | 400 | Spec W-19 | 268 | 578 | 1" | 14 | 150 | 9 | 18-30 |
| PH-SL100 | DN100 | 114,3 | 400 | Spec W-19 | 293 | 683 | 1" | 25 | 280 | 18 | 28-48 |
| PH-SL125 | DN125 | 139,7 | 525 | Spec W-19 | 293 | 683 | 1" | 22 | 180 | 18 | 45-71 |
| PH-SL150 | DN150 | 168,3 | 525 | Spec W-19 | 403 | 903 | 1" | 47 | 720 | 57 | 67-105 |

PH-SF, Flanged magnetic dirt separator

| Product Code | A | B (mm) | C (inch) | D (mm) | E (mm) | F (inch) | Weight (kg) | Kv (m³/h) | Volume (lt) | Min. Flow (m³/h) | |
|--------------|--------|--------|----------|-----------|--------|----------|-------------|-----------|-------------|------------------|--------|
| PH-SF050 | DN 50 | 2" | 420 | Spec W-19 | 268 | 578 | 1" | 13 | 75 | 9 | 8-12 |
| PH-SF065 | DN 65 | 2½" | 420 | Spec W-19 | 268 | 578 | 1" | 14 | 150 | 9 | 10-22 |
| PH-SF080 | DN 80 | 3" | 500 | Spec W-19 | 293 | 683 | 1" | 22 | 180 | 18 | 18-30 |
| PH-SF100 | DN 100 | 4" | 504 | Spec W-19 | 293 | 683 | 1" | 25 | 280 | 18 | 28-48 |
| PH-SF125 | DN 125 | 5" | 635 | Spec W-19 | 403 | 903 | 1" | 46 | 450 | 57 | 45-71 |
| PH-SF150 | DN 150 | 6" | 635 | Spec W-19 | 403 | 903 | 1" | 47 | 720 | 57 | 67-105 |

KOREX claims the right of changing the product specifications, technical measures and fitting diagrams without any notifications. All information written on this page can not be copied or used in any other circumstance without the permission of KOREX. None of the technical diagrams or information may be shown as an example holding KOREX responsible.