



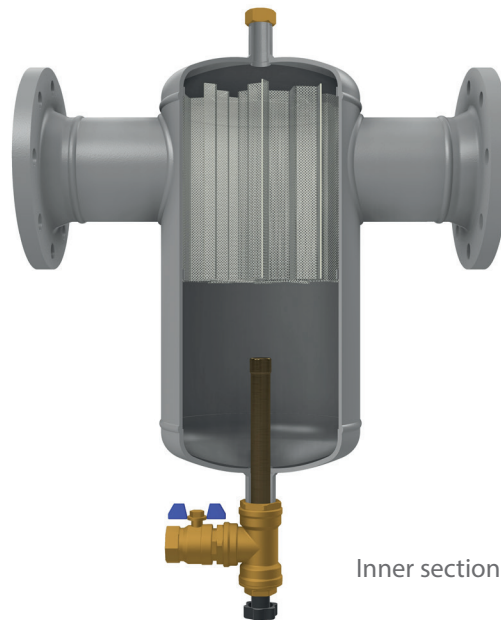
Professional in water treatment
of closed installations.

DIRT-SEP®

DS-S/Steel magnetic dirt separator



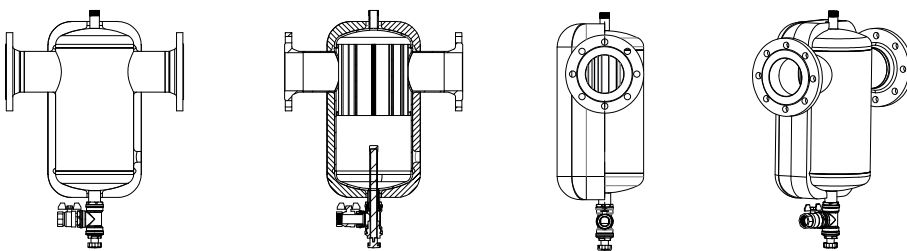
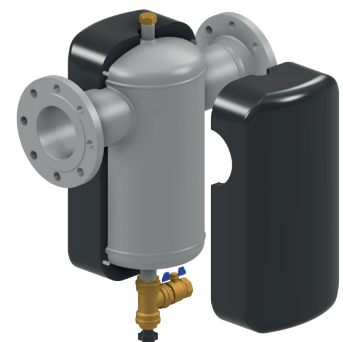
Outer view



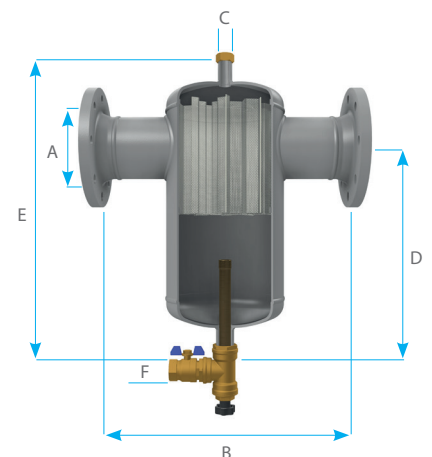
Inner section

The DIRT-SEP® dirt separator is very easy to use in combination with a AIR-SEP® degassing installation. Cleaning the installation can easily be done through the rinse valve at the bottom of the DS series products. The DS series products are equipped with a specially designed stainless steel filter Element.

Periodic maintenance is very convenient and quick to perform. When the flush valve is opened, the magnet can be removed and the accumulated dirt removed from the filter. In order to remove the magnet easily, the DIRT-SEP® dirt separator must be mounted at least 30 cm above the floor.



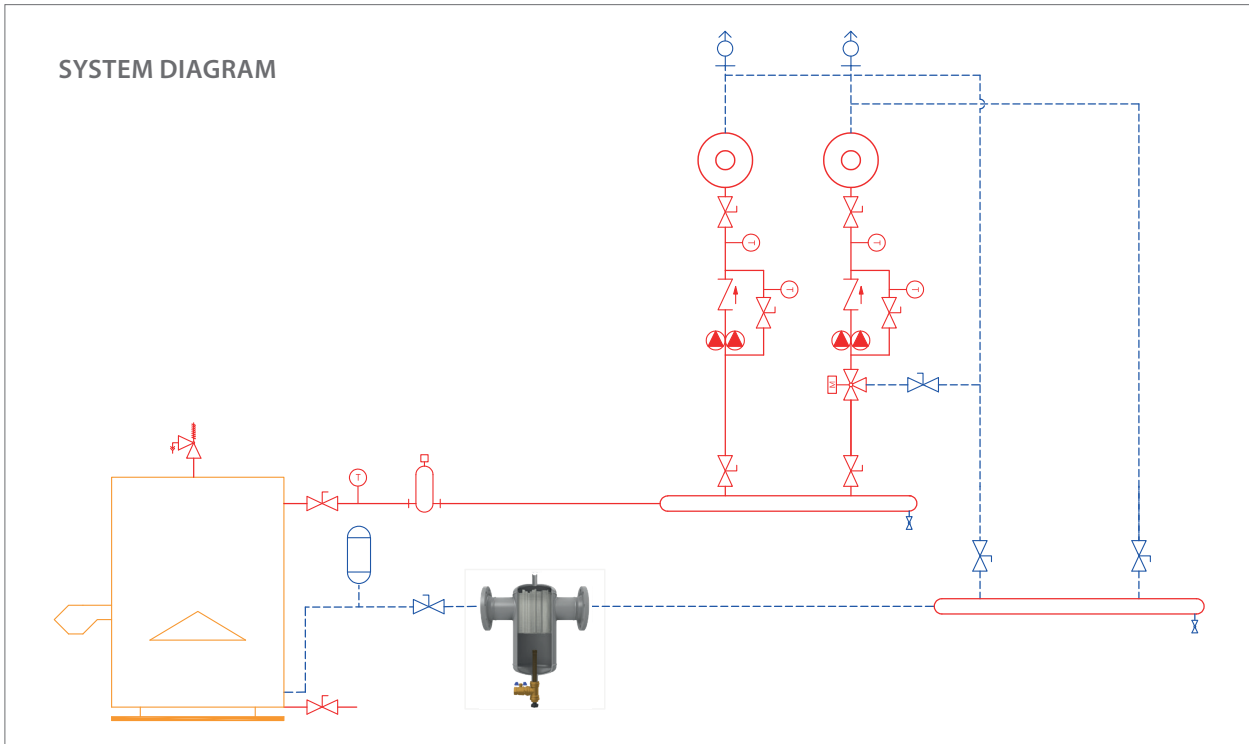
Dimensions



SPECIFICATIONS

Max. Operating Temperature:	100 °C
Operating Pressure:	10 bar
Size and Shape	
Welded DS-SL:	2" – 6"
Flans DS-SF:	DN50-DN150 /PN16 (DN200-DN600 on request)
Filtermaterial:	Stainless Steel
Outer Surface protection Paint:	DN50-DN150 Electrostatic Powder Paint

Filtering your needs.



The above system diagram is an example. It should be assembled according to current, standard and directives.

DS-SL, Welded magnetic dirt separator

Product Code	A	B (mm)	C (inch)	D (mm)	E (mm)	F (inch)	Weight (kg)	Kv (m³/h)	Volume (lt)	Min. Flow (m³/h)
DS-SL050	DN 50	60,3	330	3/4"	322	480	8	75	7	8-12
DS-SL065	DN 65	76,1	330	3/4"	322	480	8	150	7	10-22
DS-SL080	DN 80	88,9	400	3/4"	384	556	11	180	15	18-30
DS-SL100	DN 100	114,3	400	3/4"	384	556	12	280	15	28-48
DS-SL125	DN 125	139,7	525	3/4"	480	725	24	450	45	45-71
DS-SL150	DN 150	168,3	525	3/4"	480	725	24	720	45	67-105

DS-SF, Flanged magnetic dirt separator

Product Code	A	B (mm)	C (inch)	D (mm)	E (mm)	F (inch)	Weight (kg)	Kv (m³/h)	Volume (lt)	Min. Flow (m³/h)
DS-SF050	DN 50	2"	420	3/4"	322	480	13	75	7	8-12
DS-SF065	DN 65	2½"	420	3/4"	322	480	15	150	7	10-22
DS-SF080	DN 80	3"	500	3/4"	384	556	19	180	15	18-30
DS-SF100	DN 100	4"	504	3/4"	384	556	22	280	15	28-48
DS-SF125	DN 125	5"	635	3/4"	480	725	37	450	45	45-71
DS-SF150	DN 150	6"	635	3/4"	480	725	40	720	45	67-105

KOREX claims the right of changing the product specifications, technical measures and fitting diagrams without any notifications. All information written on this page can not be copied or used in any other circumstance without the permission of KOREX. None of the technical diagrams or information may be shown as an example holding KOREX responsible.